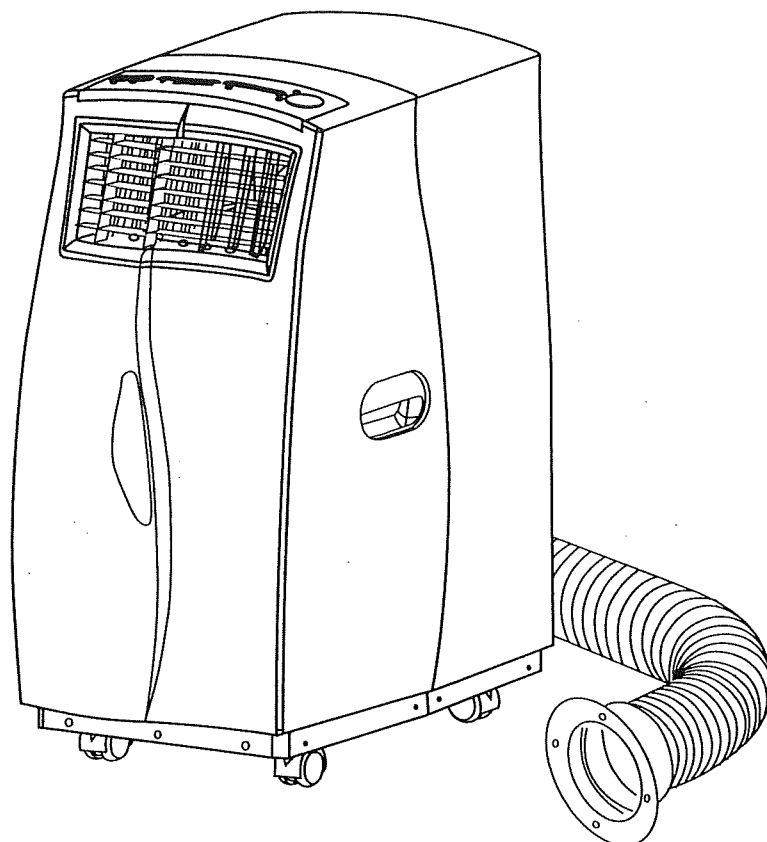


Dimplex



Model DAC14006

★ Please read and retain this manual for future reference

CONTENTS.

	Page
Introduction	1
Features	1
Specification	2
Important Safeguards	3
Energy Saving Tips	3
Parts	3
Accessories	4
Installation	5
Operation	8
Drainage	11
Maintenance	13
Trouble Shooting Guide	14
Warranty	15

Introduction.

Thank you for choosing a Dimplex air conditioner. This manual contains information, regulations and warnings which are of fundamental importance if the appliance is to be installed correctly and the highest performance, in the safest possible conditions is to be obtained. We suggest that you read the manual carefully before installing or starting up the appliance.

Features.

The air-conditioning unit is of the mono tube type, transferable (on Wheels) with air/air operating system for domestic use and has 3 settings.

- Ventilate.
- Cool.
- Dehumidify.

The ventilation mode "moves" the air allowing for its recycling much like a fan.

The cooling mode, a refrigerated circuit (compressor), cools the room by transferring the heat from the inside to the outside through the air exhaust hose. While cooling, the air-conditioning unit also dehumidifies the room air.

SPECIFICATION

Model no.	DAC14006	
* Cooling capacity	14000 BTU/hr 3530 Kcal/hr 4103 watts	
Power/Ampere consumption for cooling*	1350W	
Air volume (max. speed)	580 m ³ /h	
Humidity removal capacity	53.9 L/day	
Recommended room size	28m ²	
Power supply	220-240V/50Hz/1phase	
Compressor	Rotary	
Refrigerant	R-407C	
Refrigerant load*	Cool only model	700g
Fan speed	3	
Timer	1~ 24 hours	
Working temperature	Cooling: 18 ~ 32°C Heating: 5 ~ 27°C	
Exhaust pipe	Ø 127x1500mm	
Net Weight	38 kgs	
Dimension	365 x 548 x 746 mm (WxDxH)	
Test Condition	Temperature 27°C Humidity 60%	

* Based on manufacturer's test results using Air Enthalpy method.

Important Safeguards

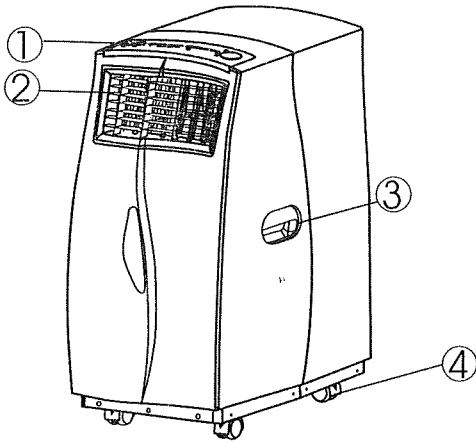
1. Read all Instructions.
2. Disconnect the power plug before dismantling, assembling or before cleaning.
3. Avoid touching moving parts of the appliance.
4. Make sure the appliance is on dry and even surface.
5. Never insert fingers, pencils or any other objects through the guards whenever the power plug is connected, especially while running.
6. The appliance is not intended for use by young children or infirm persons unless they have been adequately supervised by a responsible person to ensure that they can use the appliance safely.
7. Young children or infirm persons should be supervised to ensure that they do not play with the appliance.
8. Do not use the appliance for any other purpose than its intended use.
9. The appliance must not be used if the guards are not fastened according to instructions.
10. When the power cord is damaged, it must be replaced by the manufacturer or its service agent or a similarly qualified person in order to avoid a hazard.
11. Do not use your appliance with an extension cord unless it has been checked and tested by a qualified electrician or electrical supplier.
12. The air conditioning unit must always be stored and transported upright, otherwise you may cause irreparable damage to the compressor; in case of doubt we suggest to wait for at least 24 hours before you start the air-conditioned unit.
13. Avoid restarting the air conditioning unit unless 4 minutes have passed since being turned off, or the compressor may be damaged.

Read all Instructions before operating.

Energy Saving Tips.

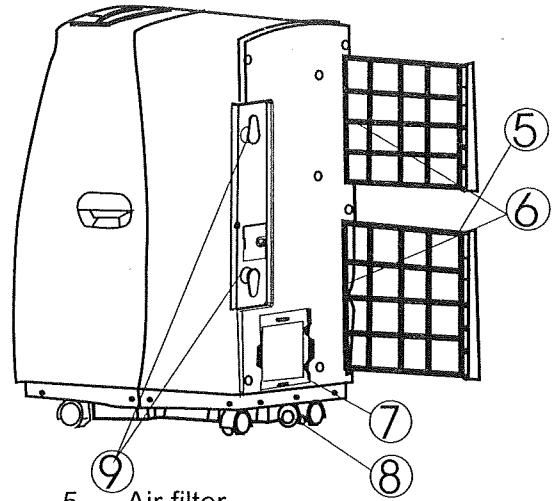
- Do not cover or restrict the airflow from the Outlet or Inlet grills.
- Minimal distance from furniture and wall is 50cm.
- Keep blinds and /or draperies, on any windows, closed during the sunniest part of the day.
- Keep the filter clean. Under normal conditions, the filters should be cleaned approximately every 30 days. Since the filters remove airborne particles, more frequent cleaning maybe necessary, depending on the indoor air quality.
- Set the fan speed switch to high cool and the thermostat to the coolest position for the initial start-up, then set the Fan switch to Low cool and lower the thermostat to a comfortable setting.

Front



1. Control Panel
2. Air outlet
3. Carrying handle
4. Caster

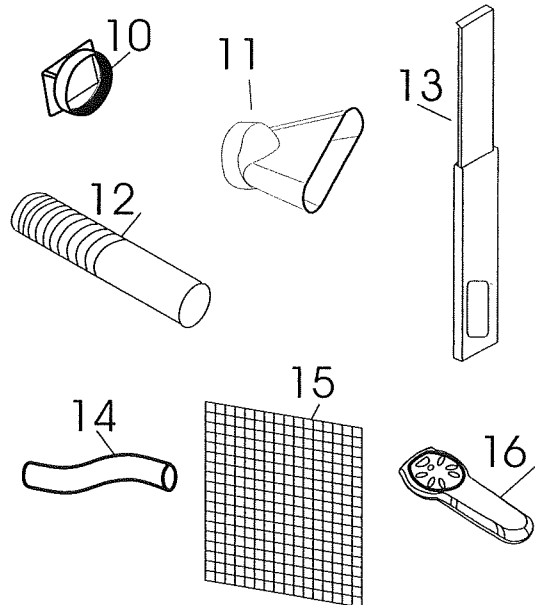
Back



5. Air filter
6. Air inlet
7. Exhaust air outlet
8. Water stopper / drainage point
9. Cord storage

Accessories

10. Inward adaptor - for insertion over hose and into back of the air conditioner.
11. Window adaptor for insertion over hose and into window kit.
12. Exhaust hose
13. Window Kit.
14. Drain tube for continuous drainage.
15. Active carbon filter
16. Remote control.

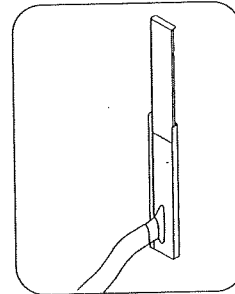
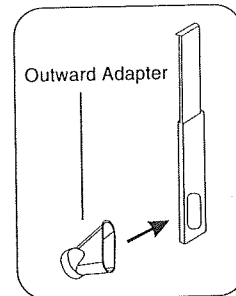


INSTALLATION.

Installation of the exhaust pipe

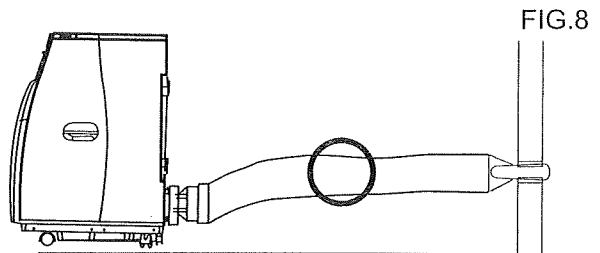
This unit is portable and may be moved from room to room. Please follow the steps for proper installation:

1. Feed the outward adapter through the extendable window spacer.
2. Screw the exhaust hose into the outward adapter.
3. Insert the window spacer into the window gaps as shown. Adjust its length if necessary.
4. Slide window across or down so the spacer is held securely.

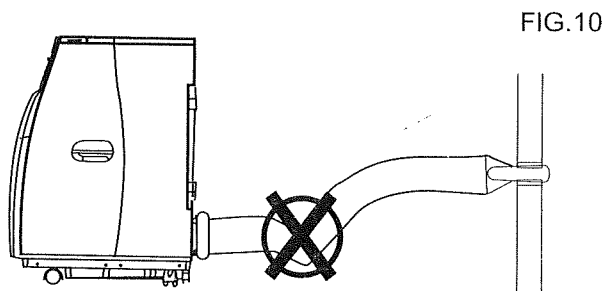
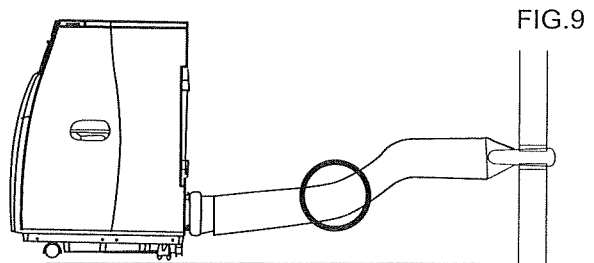


Mounting of the exhaust pipe

- The supplied exhaust hose can be extended from 50cm to 150cm for mounting. It is recommended that you use the hose in the shortest possible length.

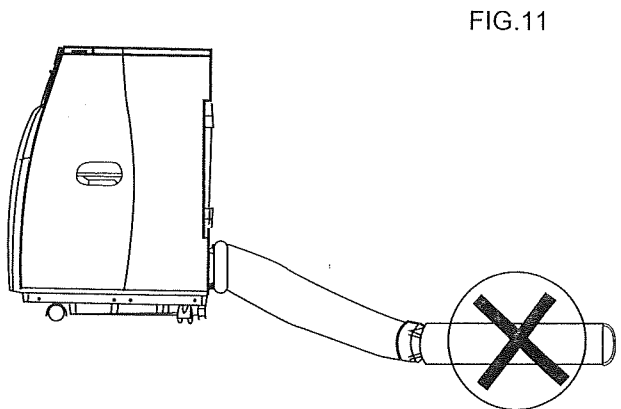


- Avoid kinks and bends in the exhaust hose as this will cause expelled moist air to build up causing the unit to overheat and shut down. Fig 8 & 9 show correct position



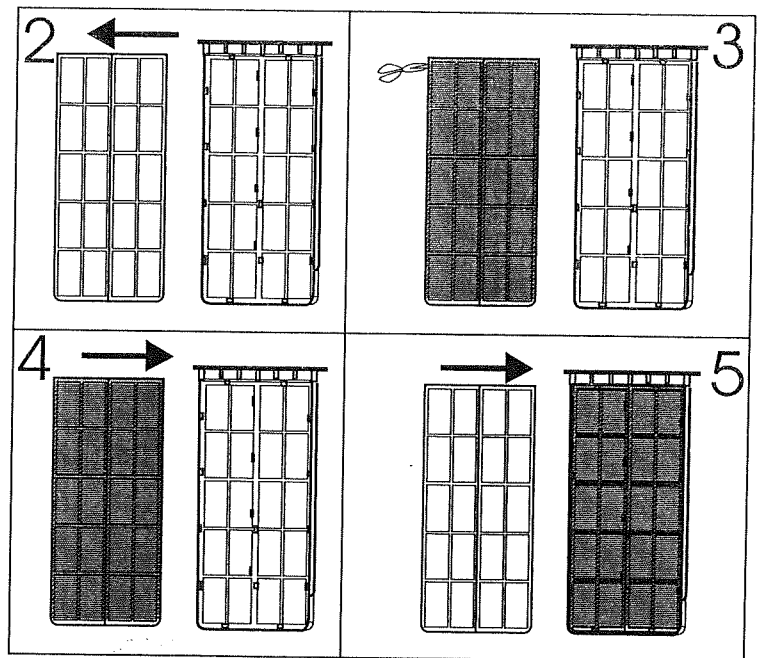
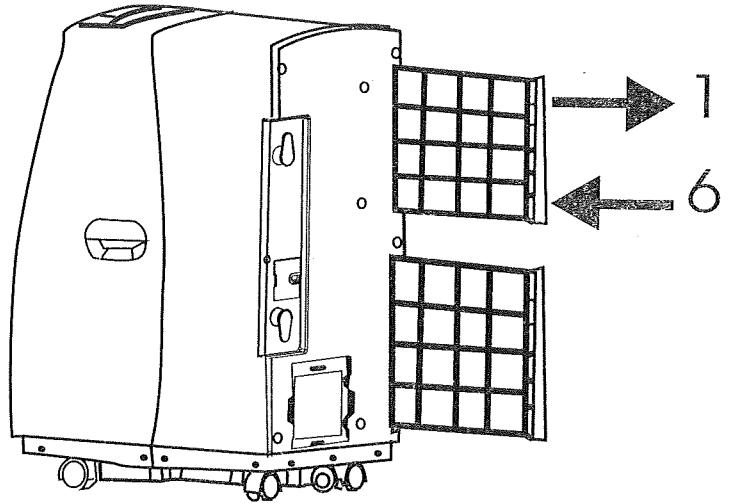
WARNING!

The length of the exhaust pipe is specially designed according to the specification of this product. Do not replace or prolong it with your own private hose as this could cause the unit to malfunction AND VOIDS YOUR WARRANTY



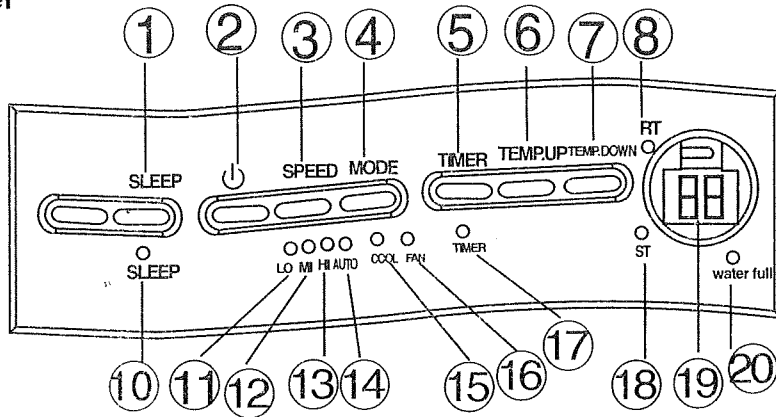
Installation of the carbon filter

1. Remove the filter frame from the unit.
2. Separate the filter fixer from the filter frame.
3. Remove the active carbon filter from its plastic bag.
4. Insert the active carbon filter into the filter frame.
5. Fix the filter by reassembling the fixer onto the filter frame.
6. Re-fit the filter frame inside the unit.

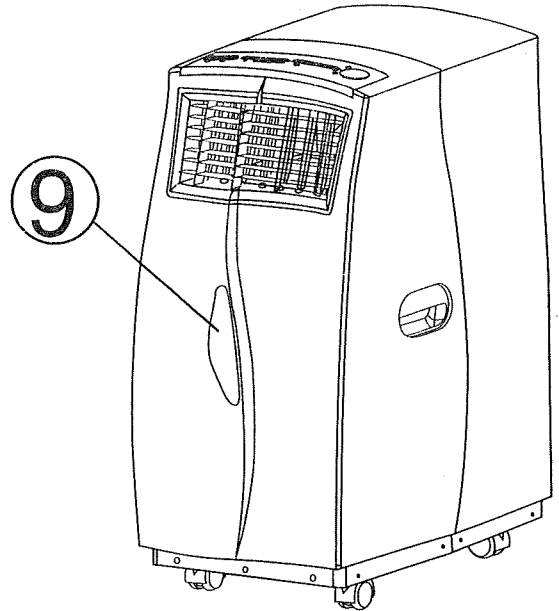


OPERATION for electronic type

Control panel



1. Sleep function button
2. ON/OFF (power) button
3. Speed (ventilation) button
4. Mode (function) option button
5. Timer
6. 'Temperature up' button
7. 'Temperature down' button
8. 'Room temperature' indicator
9. Receiver for remote control
10. Sleep function indicator
11. Low ventilation indicator
12. Medium ventilation indicator
13. High ventilation indicator
14. Automatic mode indicator
15. Cooling mode indicator
16. Fan mode indicator
17. Timer operation indicator
18. 'Set temperature' indicator
19. 'Set temperature' LCD
20. "Water Full" indicator



Turning ON/OFF

1. Press ON/OFF button, the unit will start automatically, if the ambient temperature is;
 - higher than 23°C, the unit will work in cooling mode.
 - higher than 20°C but below or equal to 23°C, the unit will work in ventilation mode.
2. Indicators of the functions in progress come on at the same time. *NOTE! The display window shows the ambient temperature from 0°C to 50°C as measured by the thermostat inside the unit.
3. To turn the unit off, press ON/OFF button again.

Setting mode/function

Press MODE button to select required working mode: automatic, cooling or fan.
The indicator of your selected mode comes on.

Setting temperature

1. Press 'Temperature up' or 'Temperature down' button to regulate the temperature you desired.
2. The display window will show the temperature you set as you press 'Temperature up' or 'Temperature down' button. After 2 seconds the display will revert back to show the ambient temperature.
3. The pre-set temperature of this machine is: 24°C for cooling.

Please Note - The temperature adjustment setting is not a direct correlation to the ambient room temperature. For example adjusting the setting to 18 will not necessary bring the ambient room temperature down to 18°

Setting fan speed

1. Press SPEED button to choose the fan speed you need, high, medium or low. The indicator of high, medium or low ventilation will glow accordingly.
2. If the unit is in AUTO COOL mode, it will choose the ventilation speed automatically according to the ambient temperature (the related indicators will glow), at this time, the speed switch is invalid.

Setting timer

1. Press TIMER button to set the operating hours you desired (1 to 24 hours, the timer indicator will glow). When the set time has been reached, the machine will turn off automatically. The display window will show the hour(s) you set as you press TIMER button. If the timer button is not pressed, the unit will work continuously.
2. By pressing the TIMER but without turning on the other functions, you can PRE-SET the time for the machine to start. For example, if you press the timer to '2', the unit will start automatically after 2 hours.

Sleep function

1. By pressing the SLEEP button, the set temperature will increase 1°C at the 1st hour, another 1°C at the second hour, then keeps at that temperature.
2. Re-press the SLEEP button, the setting temperature will return to the pre-selected one.
3. The unit will shut down automatically after the SLEEP function runs for 12 hours.

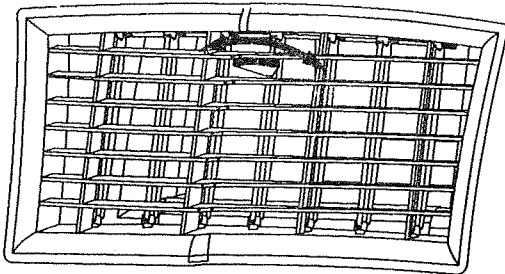
All the above functions can also be performed with the supplied remote control.

This remote control requires 2 X AAA batteries to operate



FIG. 14

Regulating air flow direction



Turn the roller on the air vent in horizontal way to control the air flow direction.

FIG.15

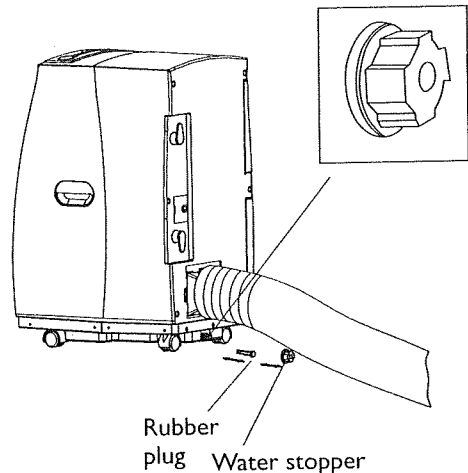
NOTICE !

1. To prolong the compressor's life, after switching off of the unit, please wait for 3 minutes (at least) before switching back on. The cooling system will switch off if the ambient temperature is lower than the set one. The ventilation, however, keeps working on the set level. If the ambient temperature rises above the selected level, the cooling will return to work.

DRAINAGE IN HIGH HUMIDITY CONDITIONS - AND STORAGE ONLY

During the process of cooling, water will be generated from the air and collected in the water tank inside the unit. When the tank is full, the compressor will stop and the Full Water indicator on the control panel will come on to remind you to empty the water tank. During this time the fan will continue to operate circulating the air. The water tank should be emptied as follows:

1. Turn off the unit.
2. Position an appropriate container flat on the floor under the drain hole.
3. Remove the water stopper and the rubber plug. Empty the condensed water from the air conditioner.
4. When the container is almost full replace the rubber plug to stop the flow of water and empty the container.
5. Repeat step 2, 3, 4, till all the condensed water is emptied.
6. After all condensed water is drained, replace the rubber plug and water stopper.



The FULL WATER indicator should be off now.

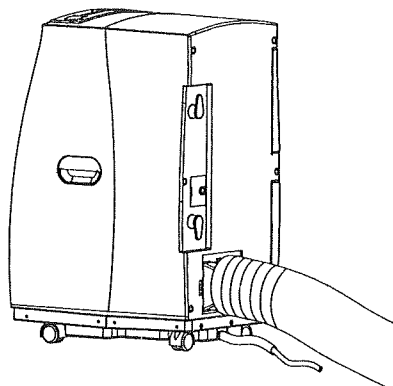
ATTENTION!

1. All condensed water must be drained prior to relocation or storage.
2. Water collected is not for consumption.

Dehumidification.

NOTE! *The machine operates in the cooling mode but it does not lower the room temperature. It absorbs the excessive humidity present in the air.*

1. Plug the unit into a proper electrical outlet.
2. Position the exhaust tube as shown or remove from the air-conditioner.
3. Turn the unit on.
4. Set the **FAN SPEED** control to the desired output of airflow, high or low.
5. Set the **THERMOSTAT** to the maximum cooling position.
6. When the water tank is full, the Full Water indicator will illuminate and the compressor will shut off automatically, the fan will stay on circulating the air. At this time, you must empty the water tank as described in the Drainage section.



Continuous Drainage.

In very humid conditions to avoid the unit from shutting down when the water tank is full the unit can also be continuously drained if a convenient drainage position is available.

Important!

The water is only gravity drained therefore the tube must lay lower and drain at a lower level than the outlet tube at the rear of the air conditioner.

- Before operating the air conditioner, remove the water stopper, take out the rubber plug and connect a PVC tube 12mm diameter.

MAINTENANCE

Always unplug the unit from the mains before beginning the cleaning.

Cleaning the housing

- Use a soft, damp cloth to wipe the body clean.
- Never use aggressive chemicals, gasoline, detergents, chemically treated cloths, or other cleansing solutions. These all could possibly damage the cabinet.

Cleaning the filter and side vent

- Use a vacuum cleaner or tap the filter lightly to remove loose dust and dirt from the filters and then rinse thoroughly under running water (no hotter than 40°C).
- Dry thoroughly before replacing.

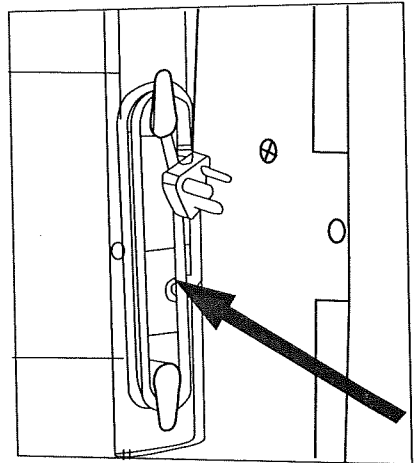
NOTICE! Never operate the unit without the filters.

End of season storage

- Unplug the unit.
- Drain the condensed water COMPLETELY (Please refer to drainage clause).
- Clean or change the filter.
- Turn on the unit in ventilation mode for a couple of hours, so the inside can dry out completely.
- It is recommended that the unit be put back into the original carton for storage and do not stack heavy objects on top of the unit.

Power cord storage

- When the unit is not in use, please store the power cord as per illustration opposite.



TROUBLE SHOOTING GUIDE.

If the product is treated in the right manner, you should encounter no problems. In case of difficulties, please check the following points before consulting the maintenance service.

Product does not work	<ul style="list-style-type: none">• Check whether the product is plugged in.
No cool air	<ul style="list-style-type: none">• Has three minutes passed after switching on the unit, check whether the water tray is full.• The room temperature should be in the operation range of 18°C-32°C• Is the set temp higher than the room temp.
Weak ventilation performance	<ul style="list-style-type: none">• Check if the exhaust hose blocked or kinked.• Check if the filter and side vent is blocked.
The unit is noisy	<ul style="list-style-type: none">• Check that the unit is setting on a level surface.

After long usage, the product should be cleaned by a professional maintenance service centre.